

RFPouch

Bag & Pouch Coding system

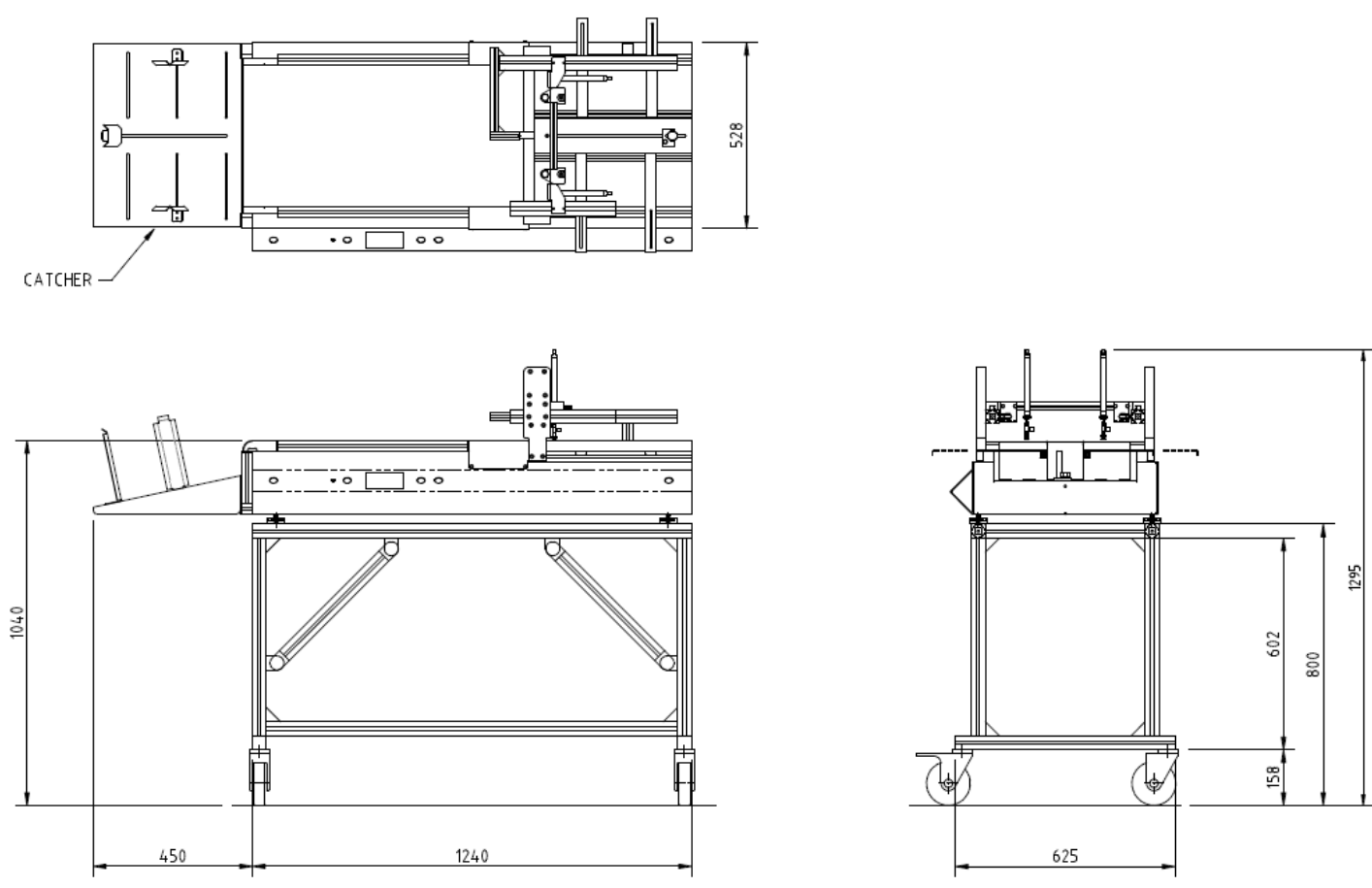


The RF Pouch is the ideal solution for the automatic feeding, printing, and / or labeling of resealable pouches, polybags, and asymmetric products.

- ❖ Uses vacuum (pick and place) technology to transport a wide range of pouches and other flexible packaging.
- ❖ The system picks a product from a stack, places it onto a conveyor for printing and/or labeling, then transfers the marked pack neatly onto another stack, ready for collection.
- ❖ Continuous operation of the feeder gives very high throughput rates at deceptively low machine speeds.

Specifications

Space Req's	The operator needs a minimum of 500 mm on each end of the RF Pouch, plus 1500 mm in the front where operator stands.
Product	Min 100 mm (L) x 100 mm (W). Max 450 mm (L) x 300mm (W)
Throughput	30 - 40 / min (based on typical size bags & pouches)



The RF Pouch feeding systems can be fitted with a wide range of coding and labeling technologies as well as post-print inspection systems. For high-resolution marking, AT INFO recommends Markoprint® industrial coders. The printers are based on HP INKJET TECHNOLOGY and are available in increments of 1/2 inch print. For larger print areas, Integra PP108 offers a 4.25 inch tall print area.

Markoprint® simplifies the printing of alphanumeric text, barcodes and graphics on a variety of materials used to form stand-up pouches. Specialty HP inks adhere to hard plastic, metal, films, and other non-porous surfaces.