

# X1JET Stitch

www.atip-usa.com

## Super Compact Inkjet Coder

The X1Jet Stitch is an independently operating print system based on HP technology. Its slim, space-saving profile allows installation of multiple printers in environments where space is severely limited.

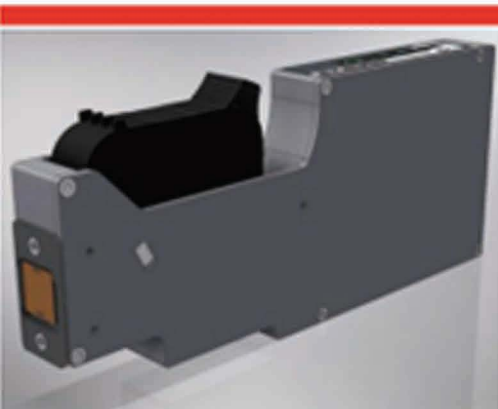
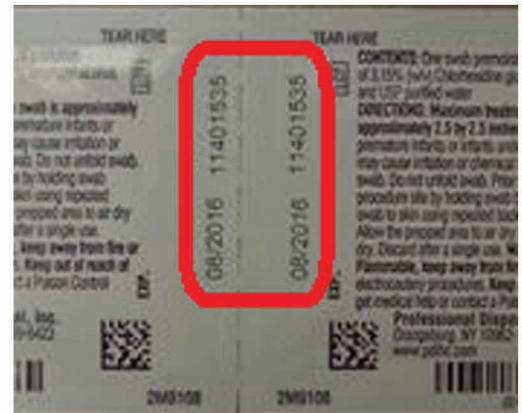
The simple and intuitive 3-button operations with LED indicator lamps secure a user-friendly system control. Up to nine layouts can be selected and printed. Optional external photo eye sensor.



**Sample Application:**  
Multi-line packaging line with minimal space for installation

### Features:

- High quality shaped and anodized aluminum housing
- Patented cartridge mounting “click and print”
- Electronics located behind the cartridge
- Variable controlled by interface
- Simple layout - and parameter transfer via USB stick
- Stackability for multi-use applications
- Ideal for confined installation conditions



| Performance Specifications                  | Pro Version                    |
|---|--------------------------------|
| Max. print speed<br>HP (Hewlett Packard)    | 90 m/min                       |
| Max. print height in mm                     | 12.5                           |
| Max. resolution<br>-horizontal<br>-vertical | 50 to 900 dpi<br>300 / 600 dpi |
| Max. text length                            | 2 m                            |
| Text field                                  | Yes                            |
| Counter                                     | Yes                            |
| Time  | Yes                            |
| Date field / -Offset                        | Yes                            |
| Logos                                       | Yes                            |
| Variables                                   | No                             |
| Action fields                               | Yes                            |
| 1D-/2D-Code                                 | Yes                            |
| Data transfer per USB-Stick                 | Yes                            |
| Ethernet                                    | Yes                            |
| EIA232                                      | Yes                            |
| Password                                    | Yes                            |
| Configurable: 2 in-/ 4 outputs              | Yes                            |
| Technical Specifications                    |                                |
| Voltage (System)                            | 12V DC 1.25A                   |
| Voltage (Power Supply)                      | 100 to 240 V AC                |
| Power consumption                           | 15 W                           |
| Dimension WxHxL in mm                       | 26x103x232                     |
| Protection class                            | IP 40                          |
| Temperature range                           | 5 to 40°C                      |
| Relative humidity<br>(non-condensing)       | 10 to 90%                      |

